

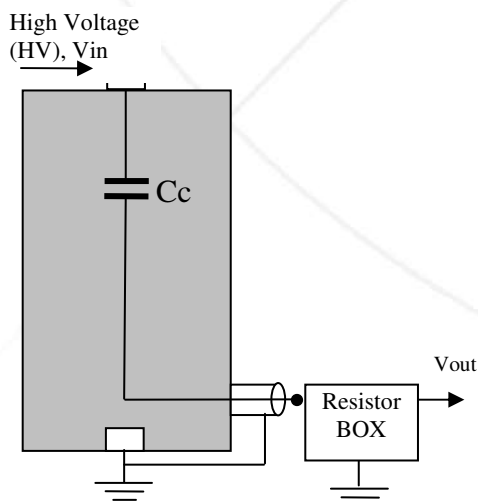
# 1 nF Coupler (17,5 kV)



Techimp 1 nF Coupler is a capacitive coupler that can be applied for partial discharge measurements. It can be chosen as PD sensor for Techimp PDCheck, PDScope or PDBasell systems. It is suitable for on/off line PD tests on rotating machines, for both spot measurements and monitoring applications, in fact it can be permanently installed. A BNC termination is available to connect the coupler through a coaxial cable. The 1 nF Coupler is fixed through 4 holes on the bottom flange.

It has to be noticed that both the BNC connector outer part and the fixing flange are electrically floating and must be earthed. The high voltage is applied to the coupler through the voltage tap on the top. The inner BNC pin needs to be earthed through a proper impedance in order to have the desired ratio  $V_{out}/V_{in}$ , and to avoid that  $V_{out}$  is higher than the maximum BNC output voltage. This impedance, together with a voltage limiter, is contained inside the Resistor Box, which is an external box to be installed near the fixing base of the coupler.

## Installation scheme



SPECIFICATIONS	
Capacitance	1nF±5%
Frequency range (HV)	50÷60 Hz
Rated Voltage (rms phase-to-ground)	17,5kV
Withstand AC voltage (1minute)	38kV
Tan $\delta$	<5x10 <sup>-4</sup>
PD level @17,5kV / 50Hz	<2pC
Temperature range	-55°C ÷ +125°C
High voltage connection, on the top	M10 threaded
Creepage distance	543 mm
Overall dimensions	H 310mm Ø180

<b>TECHIMP</b>	COMM. OA	Q.TA:										
<small>DOCUMENTO RELATIVO AL FUSIONE DI LEGNO CON IL SISTEMA DI SERRAMENTI E DI RIBATTIMENTO CONFINA TUTTI I TRATTI CON IL SISTEMA AUTOREGOLANTE ALTA PRESSIONE 200 JOE, TAVOLO 11°C IN ACCIAIO PER FORNITURA</small>	Note:											
<b>TOLLERANZE GENERALI</b> DIMENSIONE	<b>RACCORDI NON QUOTATI:</b> 0,5	<b>SCALARI NON QUOTATI:</b> 0,5x45°										
$\pm 0,1$	Foglio 1 di 1											
$\pm 0,1$	<table border="1" style="width: 100%; border-collapse: collapse;"> <tr> <td>IT</td> <td>HT</td> <td>CM</td> <td>IPC</td> <td>MM</td> <td>1,2</td> </tr> </table>	IT	HT	CM	IPC	MM	1,2	<table border="1" style="width: 100%; border-collapse: collapse;"> <tr> <td>ALBERI</td> <td>FRATTURA</td> <td>SIGNIFICATO</td> <td>15012010</td> </tr> </table>	ALBERI	FRATTURA	SIGNIFICATO	15012010
IT	HT	CM	IPC	MM	1,2							
ALBERI	FRATTURA	SIGNIFICATO	15012010									
IT11	Nome file: <b>Assemble PEM85</b>	ASSINISTORE <b>Barbieri A.</b>										
		TS000118										